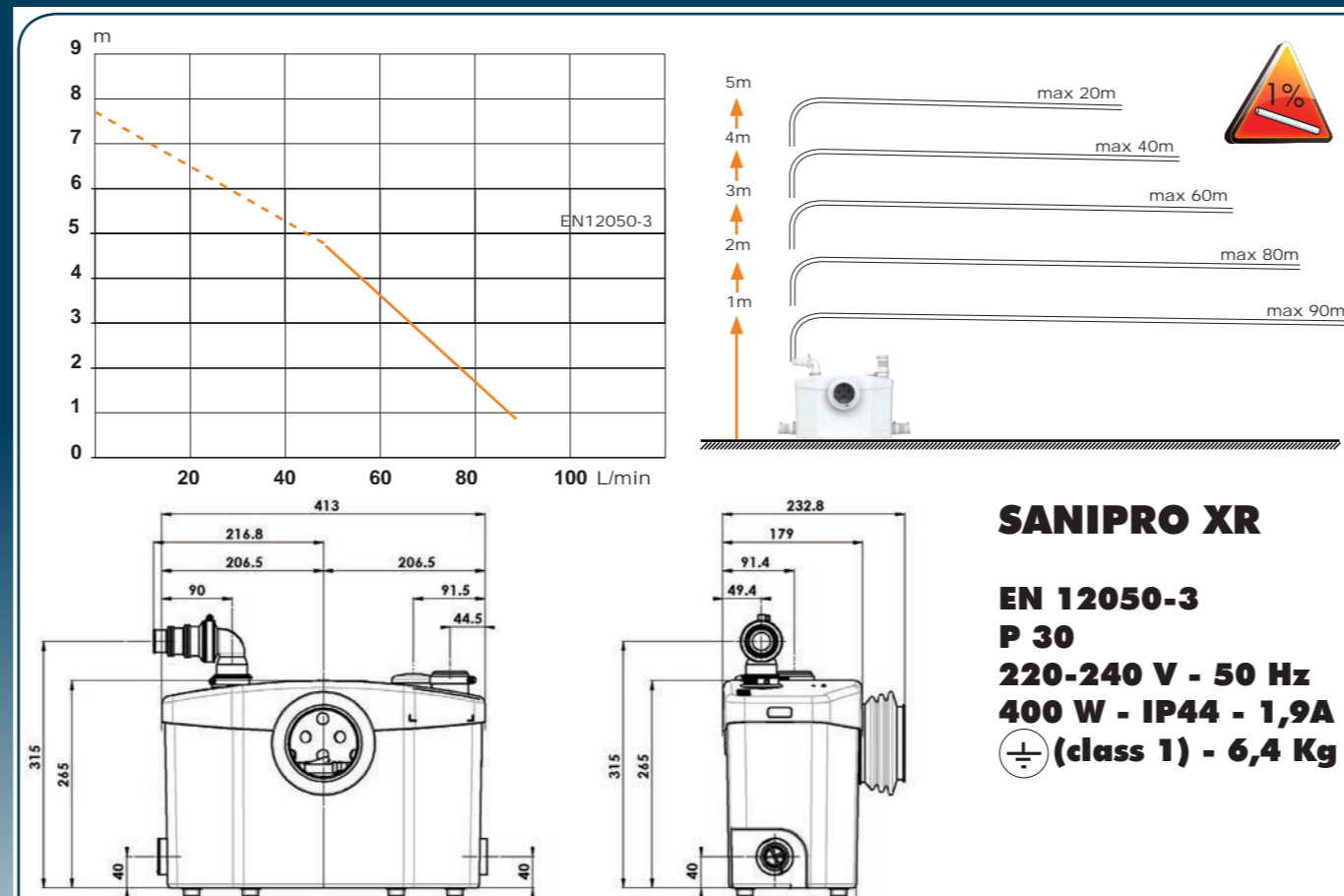
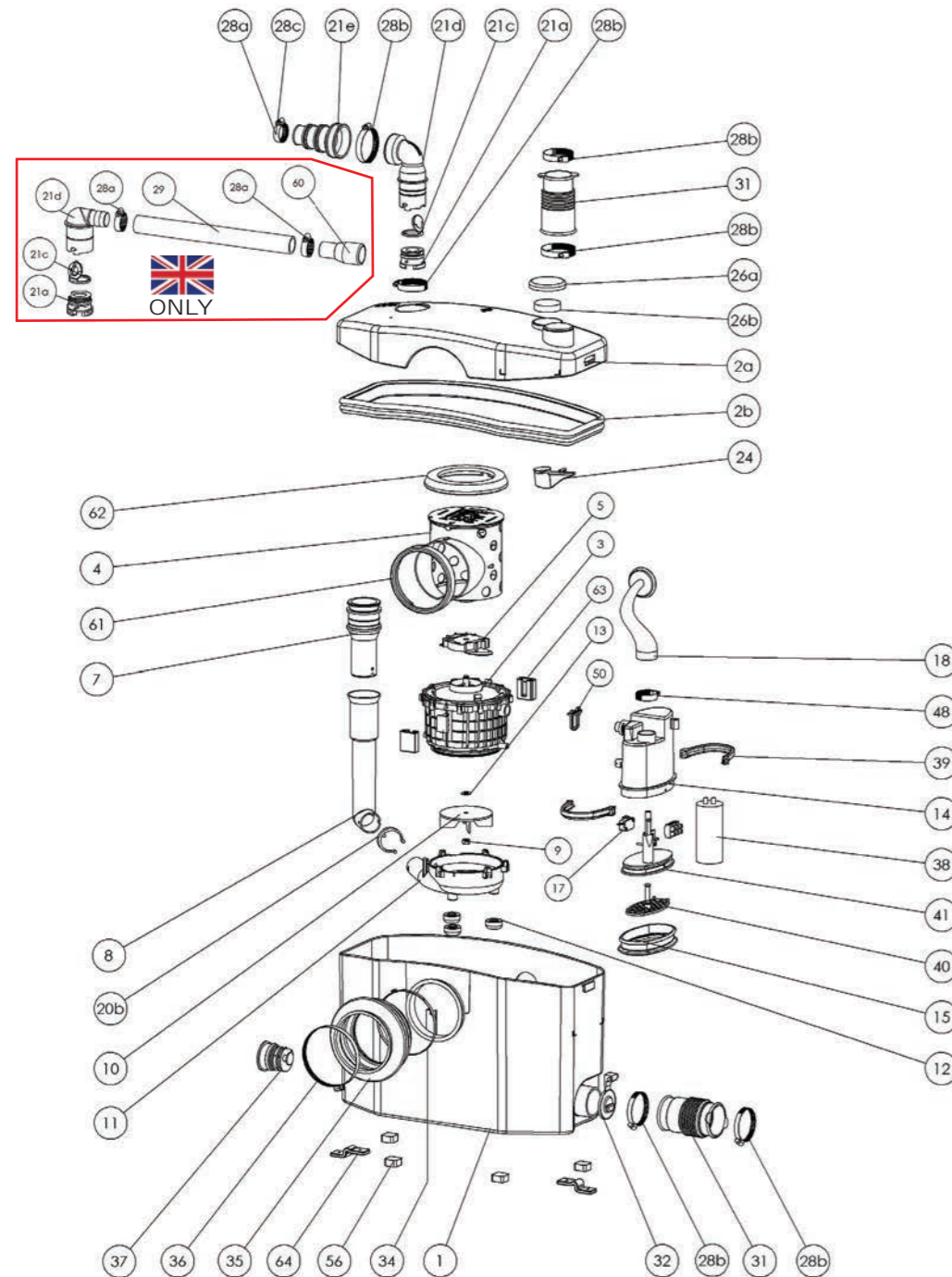
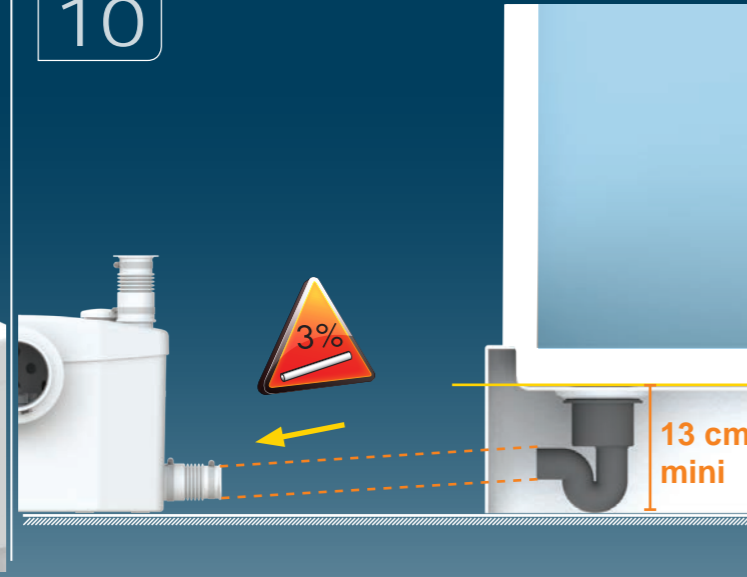


9



10



SANIPRO XR

EN 12050-3
P 30
220-240 V - 50 Hz
400 W - IP44 - 1,9A -
⊕ (class 1) - 6,4 Kg

FRANCE

SOCIÉTÉ FRANÇAISE
D'ASSAINISSEMENT
 41 bis avenue Bosquet - 75007 Paris
 Tél. +33 1 44 82 39 00
 Fax +33 1 44 82 39 01

UNITED KINGDOM

SANIFLO Ltd.
 Howard House, The Runway
 South Ruislip Middx.,
 HA4 6 SE
 Tel. +44 208 842 0033
 Fax +44 208 842 1671

IRELAND

SANIRISH Ltd
 IDA Industrial Estate
 Edenderry - County Offaly
 Tel. + 353 46 9733 102
 Fax + 353 46 97 33 093

AUSTRALIA

SANIFLO (Australasia) Pty Ltd
 Unit 9/10, 25 Gibbes Street
 Chatswood NSW 2067
 Tel. +61 298 826 200
 Fax +61 298 826 950

DEUTSCHLAND

SFA SANIBROY GmbH
 Waldstr. 23 Geb. B5 - 63128
 Dietzenbach
 Tel. (060 74) 30928-0
 Fax (060 74) 30928-90

ITALIA

SFA ITALIA spa
 Via del Benessere, 9
 27010 Sizzano (PV)
 Tel. 03 82 61 81
 Fax 03 82 61 8200

ESPAÑA

SFA S.L.
 C/ Vinyalets, 1 - Pl. Can Vinyalets
 08130 Sta. - Perpètua de Mogoda -
 Barcelona
 Tel. +34 93 544 60 76
 Fax +34 93 462 18 96

PORTUGAL

SFA, Lda.
 SintraBusinessPark, ed.01-1°P2710-089
 SINTRA
 Tel. +35 21 911 27 85
 Fax +35 21 957 70 00

РОССИЯ

SFA РОССИЯ
 101000 Москва - Колпачный переулок 9а
 Тел. (495) 258 29 51
 Факс. (495) 258 29 51

SUISSE SCHWEIZ SVIZZERA

SFA SANIBROY AG
 Vorstadt 4
 3380 Wangen a. A.
 Tel. + 41 (0)32 631 04 74
 Fax + 41 (0)32 631 04 75

BENELUX

SFA BENELUX B.V.
 Voltaweg 4
 6101 XK Echt (NL)
 Tel. +31 475 487100
 Fax +31 475 486515

SVERIGE

SANIFLO AB
 BOX 797
 S-191 27 Sollentuna
 Tel. +46 (0)8-404 15 30
 info@saniflo.se

POLSKA

SFA POLAND Sp. z o.o.
 ul. Kolejowa 33
 05-092 Łomianki/Warszawa
 Tel. (+4822) 732 00 32
 Fax (+4822) 751 35 16

ČESKÁ REPUBLIKA

SFA-SANIBROY, spol. s r.o.
 Na Košince č.ev. 681 - 180 00 PRAHA 8 -
 Libeň
 Tel. +420 266 712 855
 Fax, +420 266 712 856

ROMANIA

SFA SANIFLO S.R.L.
 Strada Leonard Nicolae, nr. 2A
 Timișoara 300454
 Tel. +40 256 245 092
 Fax +40 256 245 029

TÜRKIYE

SFA SANIHYDRO LTD STI
 Mecidiye Cad No:36-B Sevecan APT
 34394 MECIDIYEKÖY - İSTANBUL
 Tel. +90 212 275 30 88
 Fax. +90 212 275 90 58

CHINA

SFA 中国
 上海市静安区石门二路333弄3号振安
 广场恒安大厦27C (200041)
 Tel. +86(0)21 6218 8969
 Fax. +86(0)21 6218 8970

KOREA

www.SFA.biz
 sales@saniflo-korea.kr

South Africa

SFA Africa
 www.saniflo.co.za

BRAZIL

SANITRIT
 Rua Manuel da Nobrega 354Paraiso
 CEP 04001-001SAO PAULO / SP
 Tel. + 55 11 3262 2903
 www.sanitrit.com.br

SERVICE HELPLINES

	TEL	FAX			
France	08457 650011 (Call from a land line)	03 44 94 46 19	Benelux	+31 475 487100	
United Kingdom	1850 23 24 25 (LOW CALL)	020 8842 1671	Sverige	+46 (0)8-404 15 30	
Ireland	+1300 554 779	+353 46 97 33 093	Norge	+46 (0)8-404 15 30	
Australia	+1300 554 779	+61.2.9882.6950	Polska	(+4822) 732 00 33	(+4822) 751 35 16
Deutschland	0800 82 27 82 0	(060 74) 30928-90	Россия	(495) 258 29 51	(495) 258 29 51
Italia	0382 6181	+39 0382 618200	Česká Republika	+420 266 712 855	+420 266 712 856
España	+34 93 544 60 76	+34 93 462 18 96	România	+40 256 245 092	+40 256 245 029
Portugal	+35 21 911 27 85	+35 21 957 70 00	Türkiye	+90 212 275 30 88	+90 212 275 90 58
Suisse Schweiz Svizzera	+41 (0)32 631 04 74	+41 (0)32 631 04 75	中国	+86(0)21 6218 8969	+86(0)21 6218 8970
			Brazil	+55 11 3262 2903	

Service information : www.sfa.biz

PRO XR
 415 | 12.14

SFA



SANIPRO® XR

FR NOTICE D'INSTALLATION

UK INSTALLATION INSTRUCTIONS

DE INSTALLATIONSHINWEISE

IT STRUZIONI PER L'INSTALLAZIONE

ES MANUAL DE INSTALACIÓN

PT MANUAL DE INSTALAÇÃO

NL INSTALLATIE VOORSCHRIFTEN

SE INSTALLATIONSANVISNING

DK INSTALLATIONSVEJLEDNING

NO INSTALLASJONSANVISNING

FI ASENNUSOHJEET

HU FELSZERELÉSI ÉS KEZELÉSI ÚTMUTATÓ

PL INSTRUKCJA INSTALACJI

RU ИНСТРУКЦИЯ ПО МОНТАЖУ И ЭКСПЛУАТАЦИИ

RO MANUAL DE INSTALARE

CZ NÁVOD K INSTALACI A POUŽÍVÁNÍ

TR KURULUM KILAVUZU

EL ΟΔΗΓΙΕΣ ΕΓΚΑΤΑΣΤΑΣΗΣ

CN 用户应保留安装指南以备

KR 설치내용서

CE

