

# Sanipump® ZFS 71

Sanipump ZFS 71 is a cast iron submersible pump for lifting waste water (collective sanitary facilities) up to a height of 39 m. Sanipump ZFS 71 is equipped with a grinding wheel. It is available in single-phase and three-phase versions and is compatible with Sanifos 1600/2100/3100.



## PERFORMANCES

- Total manometric head: 39 m
- Max. flow rate: 17 m<sup>3</sup>/h

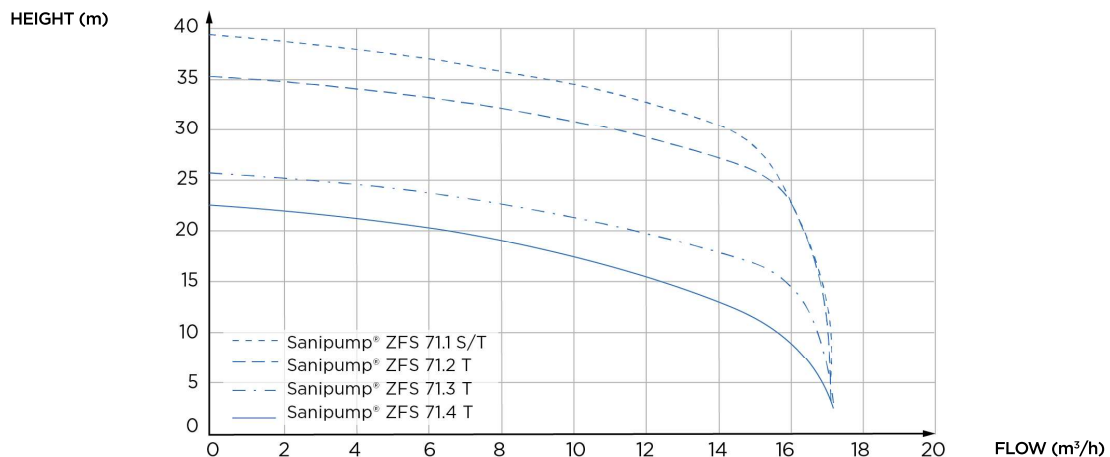
DEPENDING ON MODEL

## PRODUCT BENEFITS

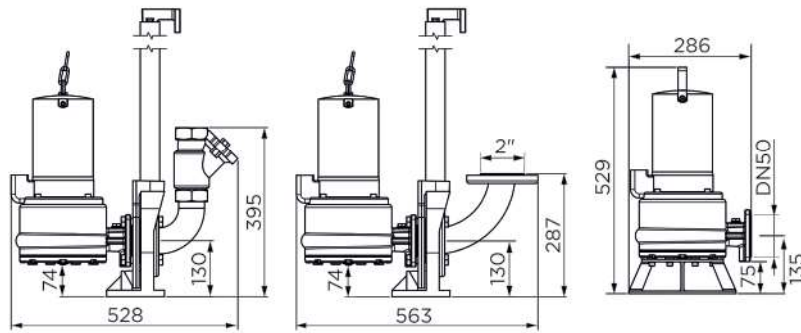
- S1 mode (if fully submerged motor)
- ATEX pump
- 5 versions, single-phase and three-phase
- Double mechanical seal
- Compatible with Sanifos 1600/2100/3100
- Grinder
- DN50 evacuation



## CURVE



## DIMENSIONS



	Sanipump® ZFS 71.1 S	Sanipump® ZFS 71.1 T	Sanipump® ZFS 71.2T	Sanipump® ZFS 71.3T	Sanipump® ZFS 71.4T
<b>Materials</b>					
Pump housing	GG-20	GG-20	GG-20	GG-20	GG-20
Shaft	Stainless steel	Stainless steel	Stainless steel	Stainless steel	Stainless steel
Waterproofing	Carbon/ceramic	Carbon/ceramic	Carbon/ceramic	Carbon/ceramic	Carbon/ceramic
Motor housing	GG-20	GG-20	GG-20	GG-20	GG-20
Impeller	GG-20	GG-20	GG-20	GG-20	GG-20
Foot	GG-20	GG-20	GG-20	GG-20	GG-20
<b>Electrical features</b>					
Voltage (V)	230	400	400	400	400
Frequency (Hz)	50-60	50-60	50-60	50-60	50-60
Power consumption P1 (W)	2200	2100	2100	3690	3900
Power output P2 (W)	1600	1700	1700	3200	3200
RPM (=revolution per minute)	2800	2800	2800	2800	2800
Electrical class	I	I	I	I	I
Motor insulation class	F	F	F	F	F
ATEX	Yes	Yes	Yes	Yes	Yes
Submerged	S1	S1	S1	S1	S1
Mode of operation	S3 40%	S3 40%	S3 40%	S3 40%	S3 40%
Immersion depth (m)	5	5	5	5	5
Power cable: Length (m)	10	10	10	10	10
Power cable: Type, section	S1BN8-F , 1,5	S1BN8-F , 1,5	S1BN8-F , 1,5	S1BN8-F , 1,5	S1BN8-F , 1,5
<b>Hydraulics</b>					
Total manometric head (m)	22	22	25	35	39
Max. flow rate (m³/h)	17	17	17	17	17
Discharge diameter DN	50	50	50	50	50
Type of wheel	Grinder	Grinder	Grinder	Grinder	Grinder
Max. temperature of the pumped liquid (5 min)	70°C	70°C	70°C	70°C	70°C
<b>Identification and logistics</b>					
Gross weight (kg)	38	38	38	42	42
EAN code	3308815081571	3308815081588	3308815081595	3308815081601	3308815081618
Factory code	ZFS-001	ZFS-002	ZFS-003	ZFS-004	ZFS-005