

# Sanipump® ZPG 71

Sanipump ZPG 71 is a cast iron submersible pump for pumping grey water and rainwater with a maximum lift height of 31 m and a free passage of 40 mm. Sanipump ZPG 71 can be installed in a manhole or pit. All accessories are available for installation on the floor or on a base.

Sanipump ZPG 71 is compatible with Sanifos 1600/2100/3100 and is available in 4 versions: 1 single-phase and 3 three-phase.



## PERFORMANCES

- Total manometric head: 31 m
- Max. flow rate: 43 m<sup>3</sup>/h

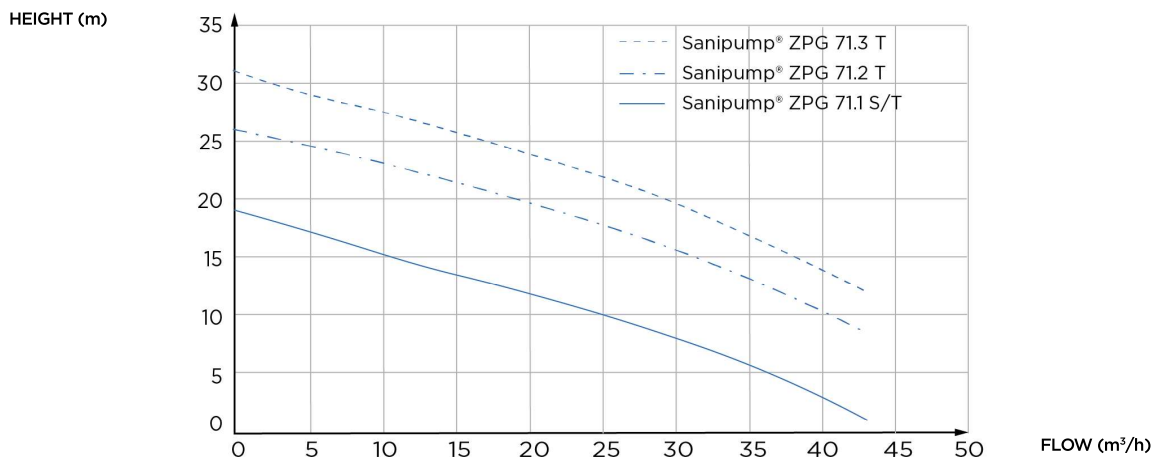
DEPENDING ON MODEL

## PRODUCT BENEFITS

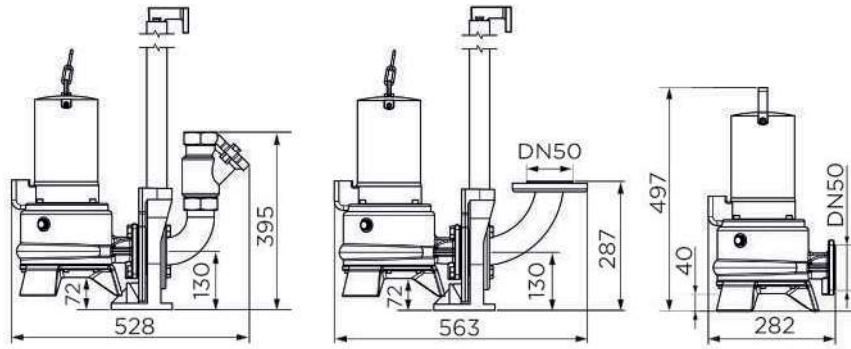
- Rainwater lift (S1 mode, if motor fully submerged)
- Integrated foot pump
- Two-channel wheel
- 40 mm solid handling capacity
- Available in 4 versions
- Compatible with Sanifos 1600/2100/3100



## CURVE



## DIMENSIONS



	Sanipump® ZPG 71.1 S	Sanipump® ZPG 71.1 T	Sanipump® ZPG 71.2 T	Sanipump® ZPG 71.3 T
<b>Materials</b>				
Pump housing	GG-20	GG-20	GG-20	GG-20
Shaft	Stainless steel	Stainless steel	Stainless steel	Stainless steel
Waterproofing	Carbon/ceramic	Carbon/ceramic	Carbon/ceramic	Carbon/ceramic
Motor housing	GG-20	GG-20	GG-20	GG-20
Impeller	GG-20	GG-20	GG-20	GG-20
Foot	GG-20	GG-20	GG-20	GG-20
<b>Electrical features</b>				
Voltage (V)	230	400	400	400
Frequency (Hz)	50-60	50-60	50-60	50-60
Power consumption P1 (P=power) (W)	2200	2100	3900	3900
Power output P2 (P=power) (W)	1600	1700	3200	3200
RPM (=revolution per minute) (tours/min)	2800	2800	2800	2800
Electrical class	I	I	I	I
Motor insulation class	F	F	F	F
Submerged	S1	S1	S1	S1
Mode of operation	S3 40%	S3 40%	S3 40%	S3 40%
Immersion depth (m)	5	5	5	5
Power cable: Length (m)	10	10	10	10
Power cable: Type, Section	S1BN8-F , 1,5	S1BN8-F , 1,5	S1BN8-F , 1,5	S1BN8-F , 1,5
<b>Hydraulics</b>				
Total manometric head (m)	19	19	26	31
Max. flow rate (m³/h)	43	43	43	43
Discharge diameter DN (DN=nominal diameter)	50	50	50	50
Particle size (mm)	40	40	40	40
Type of wheel	Two-channel	Two-channel	Two-channel	Two-channel
Max. temperature of the pumped liquid (5 min)	70°C	70°C	70°C	70°C
<b>Identification and logistics</b>				
Gross weight (kg)	38	40	44	46
EAN code	3308815081533	3308815081540	3308815081557	3308815081564
Factory code	ZPG-001	ZPG-002	ZPG-003	ZPG-004