

Sanicubic[®] 1 SC

grey water, black water

Sanicubic 1 SC is a lifting station with 1 three-phase cast iron pump with a single-channel impeller. Designed for lifting waste water from public buildings or shopping centres, this station is available in 4 pump versions. It is delivered with a pneumatic remote control box including an audible and visual alarm.



PERFORMANCES

- Total manometric head: 22 m
- Max. flow rate: 165 m³/h

DEPENDING ON MODEL

PRODUCT BENEFITS

- Installation without clearance
- Accessibility for maintenance purposes
- 1 inlet DN150
- Three-phase pump made of cast iron
- Free passage 80 mm or 100 mm
- Control box included (ZPS or PS2)
- Start star-delta for the Sanicubic 1 SC7.5T version
- Possible customisation of the station (tank volume and inlets) for tailor-made installation



COMMISSIONING

STANDARD (SEE ACCESSORIES PAGES)

Control box ZPS - single pump version

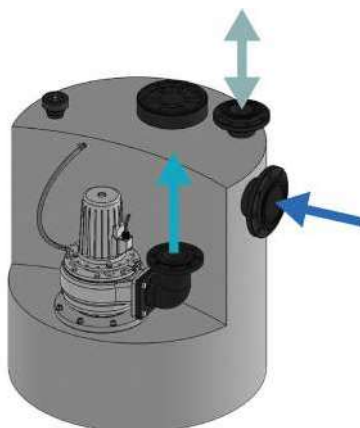


PS2 system box



DEPENDING ON MODEL

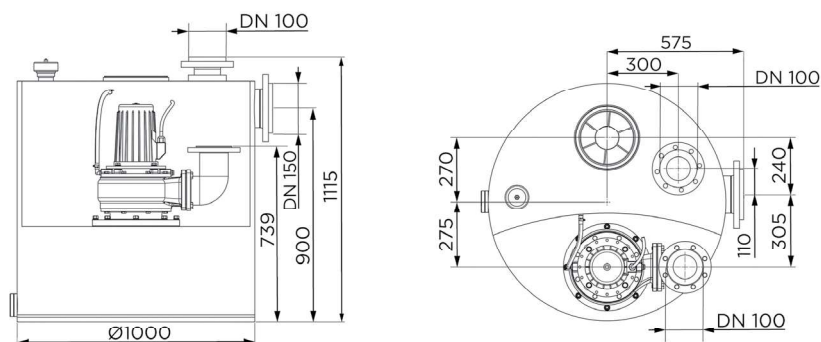
CONNECTIONS



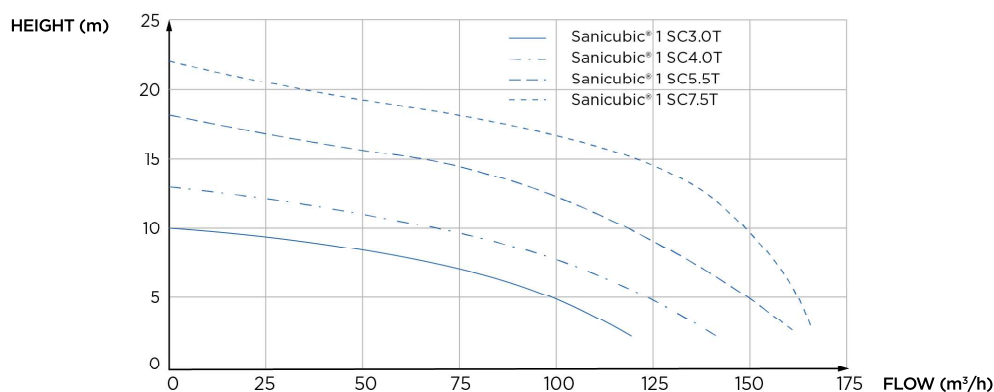
- ➔ Inlet diameter DN (DN=nominal diameter): 150
- ➔ Discharge diameter DN (DN=nominal diameter): 100
- ↕ Ventilation diameter DN: 100

FLOOR-MOUNTED RANGE

DIMENSIONS



CURVE



	Santicubic® 1 SC3.0 T	Santicubic® 1 SC4.0 T	Santicubic® 1 SC5.5 T	Santicubic® 1 SC7.5 T
Type of control box	ZPS 1 case	ZPS 1 case	ZPS 1 case	PS2 System case
Materials				
Tank	PE HD	PE HD	PE HD	PE HD
Pump housing	GG-20	GG-20	GG-20	GG-20
Motor housing	GG-20	GG-20	GG-20	GG-20
Impeller	GG-20	GG-20	GG-20	GG-20
Electrical features				
Voltage (V)	400	400	400	400
Frequency (Hz)	50-60	50-60	50-60	50-60
Power consumption P1 (P=power) (W)	4000	5500	6300	8700
Power output P2 (P=power) (W)	3000	4000	5500	7500
Mode of operation	S3 25%	S3 25%	S3 25%	S3 25%
IP Rating	IP68	IP68	IP68	IP68
Hydraulics				
Total manometric head (m)	10	13	18	22
Max. flow rate (m ³ /h)	120	140	160	165
Inlet diameter DN (DN=nominal diameter)	150	150	150	150
Discharge diameter DN (DN=nominal diameter)	100	100	100	100
Ventilation diameter DN	100	100	100	100
Total volume (L)	480	480	480	480
Useable volume (L)	270	270	270	270
Passage libre (mm)	80	80	100	100
Max. temperature of the pumped liquid (5 min)	55°C	55°C	55°C	55°C
Type of wheel	Single-channel	Single-channel	Single-channel	Single-channel
Type of activation	Pneumatic	Pneumatic	Pneumatic	Pneumatic
Identification and logistics				
Gross weight (kg)	210	220	225	240
EAN code	3308815079035	3308815079042	3308815079059	3308815079066
Factory code	CUBICISC3-0T	CUBICISC4-0T	CUBICISC5-5T	CUBICISC7-5T