

Sanicubic® 1 GR

grey water, black water

Sanicubic 1 GR is a station recommended for individual use (pavilion, small commercial premises). It collects all waste water from toilets, bathrooms, kitchens or laundry rooms. It is equipped with a pump with the Pro X K3 dilaceration system. It has 7 possible inlets to collect all types of waste water in the most demanding of settings.

The station is delivered as standard with a pneumatically controlled remote control box including an audible and visual alarm.



PERFORMANCES

- Total manometric head: 39 m
- Max. flow rate: 17 m³/h

DEPENDING ON MODEL

PRODUCT BENEFITS

- Installation without clearance
- Accessibility for maintenance purposes
- Compact dimensions
- 7 inlets
- Grinding wheel
- 5 single or three-phase pump versions
- Integrated connection and non-return valve

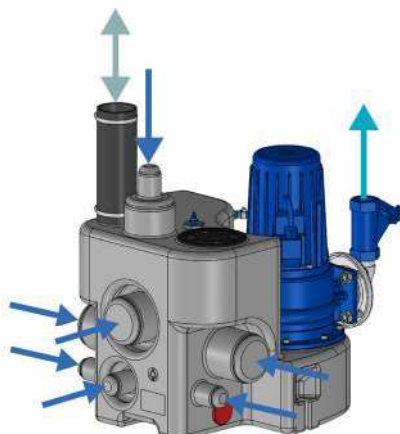


STANDARD (SEE ACCESSORIES PAGES)

Control box ZPS - single pump version



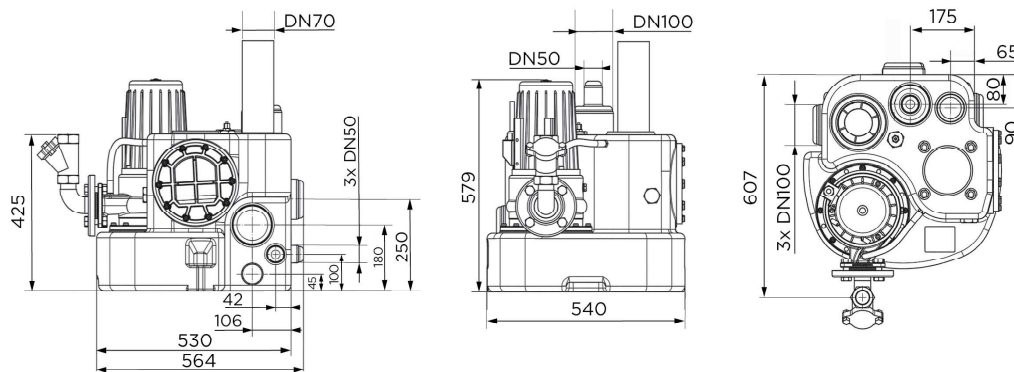
CONNECTIONS



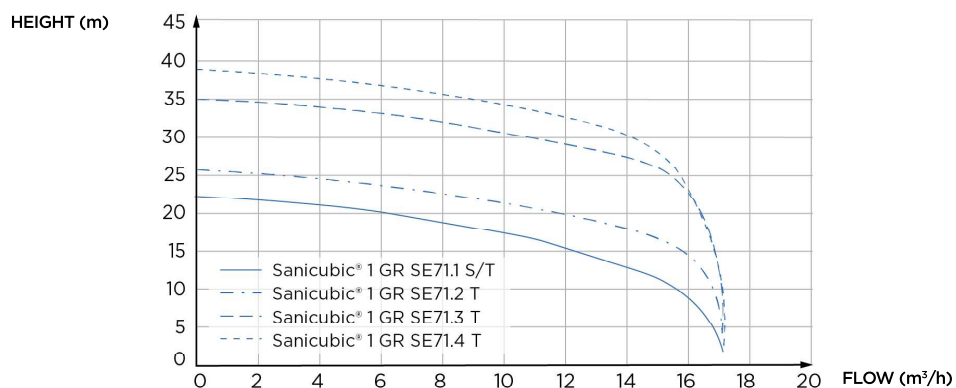
- ➡ Inlet diameter DN (DN=nominal diameter): 50, 100
- ➡ Discharge diameter DN (DN=nominal diameter): 50
- ↔ Ext.ventilation diameter: 75 mm

FLOOR-MOUNTED RANGE

DIMENSIONS



CURVE



	Sanicubic® 1 GR SE71.1 S	Sanicubic® 1 GR SE71.1 T	Sanicubic® 1 GR SE71.2 T	Sanicubic® 1 GR SE71.3 T	Sanicubic® 1 GR SE71.4 T
Type of control box	ZPS 1 case	ZPS 1 case	ZPS 1 case	ZPS 1 case	ZPS 1 case
Materials					
Tank	PE LD	PE LD	PE LD	PE LD	PE LD
Pump housing	GG-20	GG-20	GG-20	GG-20	GG-20
Motor housing	GG-20	GG-20	GG-20	GG-20	GG-20
Impeller	GG-20	GG-20	GG-20	GG-20	GG-20
Electrical features					
Voltage (V)	230	400	400	400	400
Frequency (Hz)	50-60	50-60	50-60	50-60	50-60
Power consumption P1 (P=power) (W)	2200	2100	2100	3900	3900
Power output P2 (P=power) (W)	1700	1700	1700	3200	3200
Mode of operation	S3 25%	S3 25%	S3 25%	S3 25%	S3 25%
IP Rating	IP68	IP68	IP68	IP68	IP68
Hydraulics					
Total manometric head (m)	22	22	25	35	39
Max. flow rate (m³/h)	17	17	17	17	17
Inlet diameter DN (DN=nominal diameter)	50, 100	50, 100	50, 100	50, 100	50, 100
Discharge diameter DN (DN=nominal diameter)	50	50	50	50	50
Ext.ventilation diameter (mm)	75	75	75	75	75
Total volume (L)	55	55	55	55	55
ON Level /OFF level (mm)	140-250/30	140-250/30	140-250/30	140-250/30	140-250/30
Alarm level (mm)	180-290	180-290	180-290	180-290	180-290
Max. temperature of the pumped liquid (5 min)	55°C	55°C	55°C	55°C	55°C
Type of wheel	Grinder	Grinder	Grinder	Grinder	Grinder
Type of activation	Pneumatic	Pneumatic	Pneumatic	Pneumatic	Pneumatic
Identification and logistics					
Gross weight (kg)	64	64	64	68	68
EAN code	3308815079110	3308815079127	3308815079134	3308815079141	3308815079158
Factory code	CUBIC1GRSE71-1S	CUBIC1GRSE71-1T	CUBIC1GRSE71-2T	CUBIC1GRSE71-3T	CUBIC1GRSE71-4T