



SFA's best seller!

Similar to the original Saniflo but allows connection of a WC and a wash basin to one macerator pump.

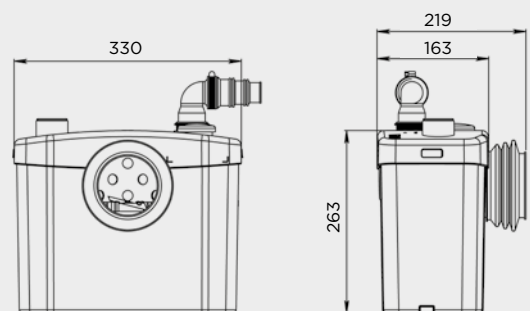
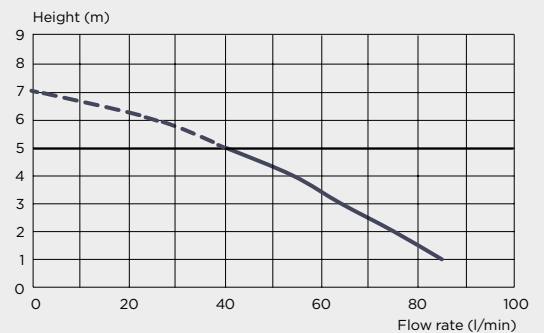


5 m  
100 m

## SANITOP®

Inlets diameter	40 mm
Discharge pipework	22/28/32 mm
IP rating	IP 44
Electrical power supply	220-240 V / 50-60 Hz
Motor power	400 W
Weight	5.7 kg
Non-return valve	included
Active carbon filter	included

VERTICAL AND HORIZONTAL  
DISCHARGE: ↑ 5 m → 100 m



### BENEFITS

- One top waste inlet
- Unobtrusive with a quiet motor